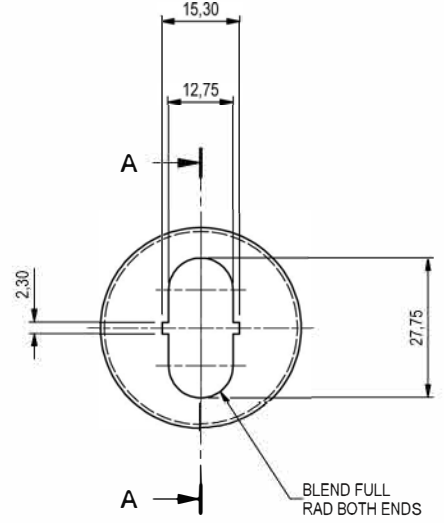
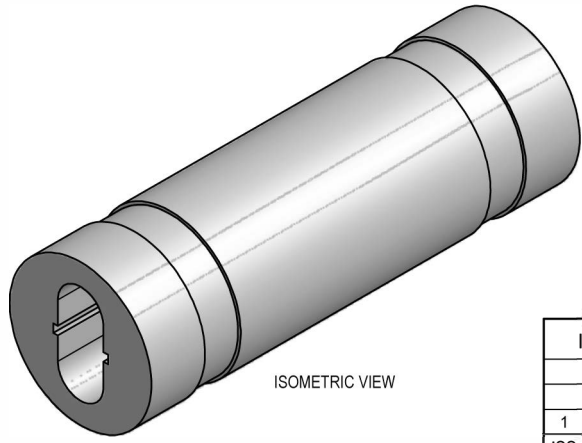


SECTION A - A



GLAZED ALL OVER
 FOR PART DETAILS AND SPECIFICATION SEE
 MANUFACTURING DRAWING BAB-304



ISOMETRIC VIEW

IF IN DOUBT ASK			TOLERANCES UNLESS STATED		DRN	MAT'L	CONFIDENTIAL INFORMATION © Morgan Advanced Ceramics Ltd.
					TS	SINTOX AL	
					CHK'D	FIN	
1	101404	13/03/2001			DATE	SPEC	
ISS	C/N	DATE	DIMENSIONS IN MILLIMETRES		SCALE		
					1:1		
THIRD ANGLE		DO NOT SCALE	ITEM DESCRIPTION REFLECTOR (BAB-304)			DRG. No. WD-003	