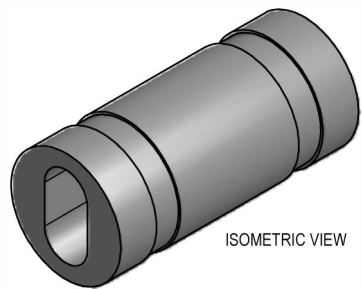
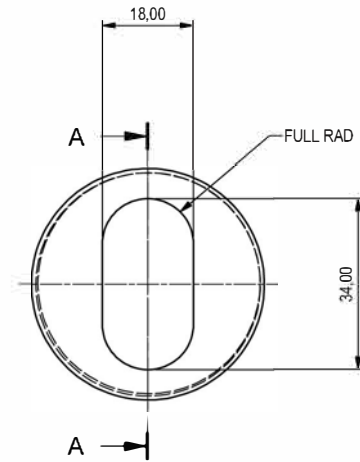


SECTION A - A



ISOMETRIC VIEW

GLAZE ALL OVER

FOR PART DETAILS AND SPECIFICATION SEE
MANUFACTURING DRAWING BAB-281

IF IN DOUBT ASK			TOLERANCES UNLESS STATED		DRN	MAT'L	CONFIDENTIAL INFORMATION © Morgan Advanced Ceramics Ltd.
					TS	SINTOX AL	
					CHK'D	FIN	
1	101404	06/05/2010			DATE	-	
ISS	C/N	DATE	DIMENSIONS IN MILLIMETRES		SCALE	SPEC	
THIRD ANGLE			DO NOT SCALE	ITEM DESCRIPTION	REFLECTOR (BAB-281)		DRG. No. WD-006